

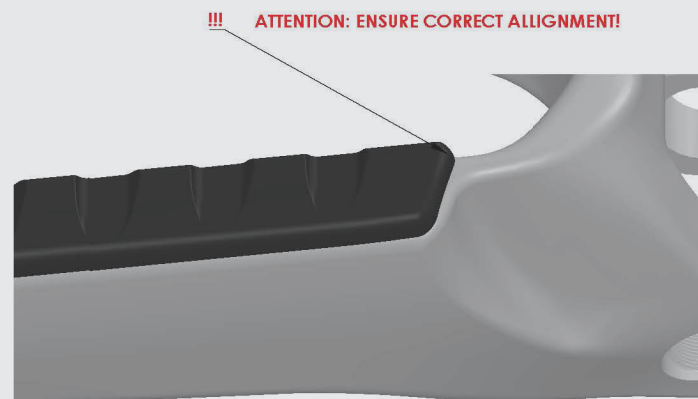
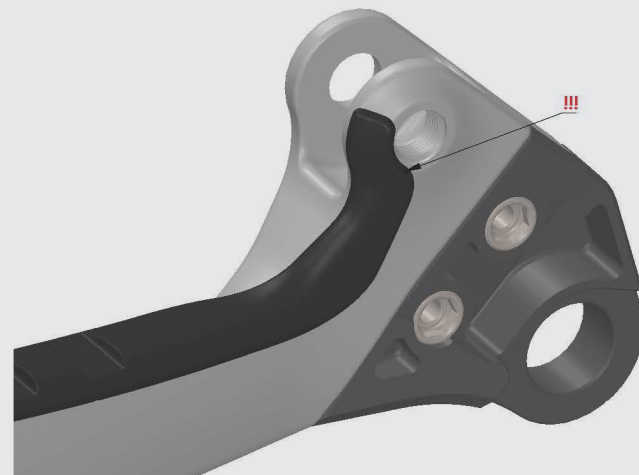
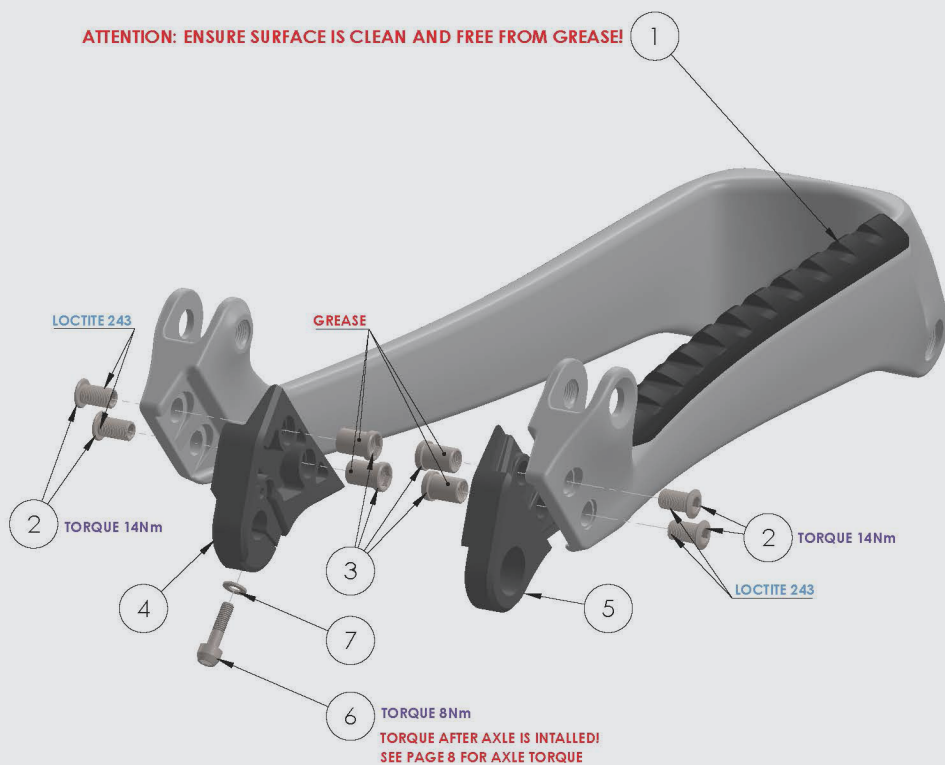


DREADNOUGHT V2 //
EXPLODED VIEW

EXPLODED VIEW - V1.0



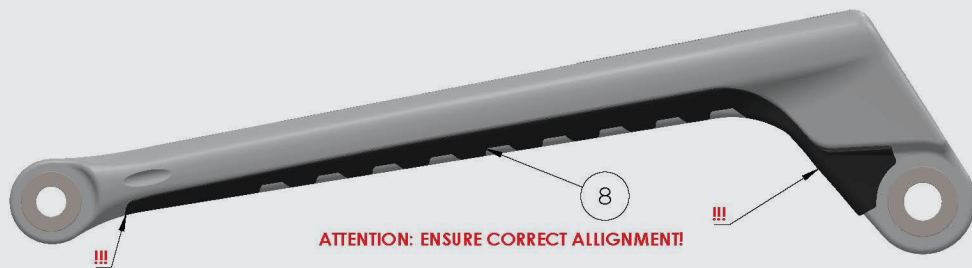
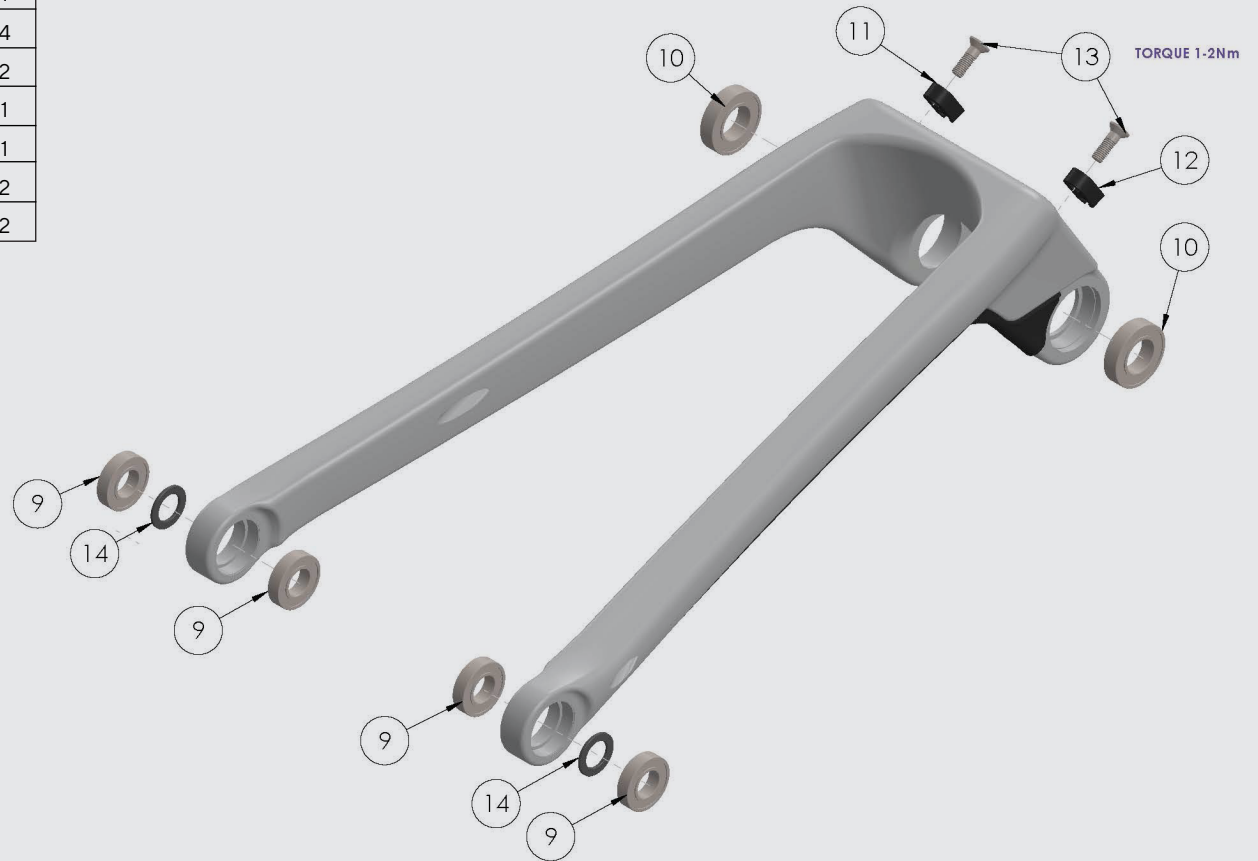
ITEM NO.	DESCRIPTION	QTY
1	004.002.0010 CHAINSTAY PROTECTOR 1	1
2	001.004.0007 DROPOUT BOLT 5mm HEX 4	4
3	001.004.0008 DROPOUT NUT 8mm HEX 4	4
4	001.004.0006 (ALT. 001.004.0003) 27.5 [0] NON-DRIVESIDE DROPOUT (ALT. 29 [0] NON-DRIVESIDE DROPOUT)	1
5	001.004.0004 (ALT. 001.004.0001) 27.5 [0] DRIVESIDE DROPOUT (ALT. 29 [0] DRIVESIDE DROPOUT)	1
6	003.007.0019 M5 x 20 SOCKET SCREW 5mm HEX	1
7	002.005.0004 M5 x 1.0 WASHER 10mm OD	1



EXPLODED VIEW - V1.0



ITEM NO.	DESCRIPTION	QTY
8	004.002.0011 SEATSTAY PROTECTOR	1
9	ENDURO 6901 LLU MAX	4
10	ENDURO 6902 LLU MAX	2
11	004.001.0004 REAR TRIANGLE CABLE PORT LH	1
12	004.001.0005 REAR TRIANGLE CABLE PORT RH	1
13	003.007.0013 SEATSTAY CABLE PORT SCREW	2
14	002.004.0016 SPACER 12 x 1.5	2



!!! ATTENTION: ENSURE CORRECT ALIGNMENT!

ATTENTION: APPLY LIGHT FILM OF GREASE TO BEARING BORES BEFORE INSTALLATION!

EXPLODED VIEW - V1.0



ITEM NO.	DESCRIPTION	QTY
9	ENDURO 6901 LLU MAX	2

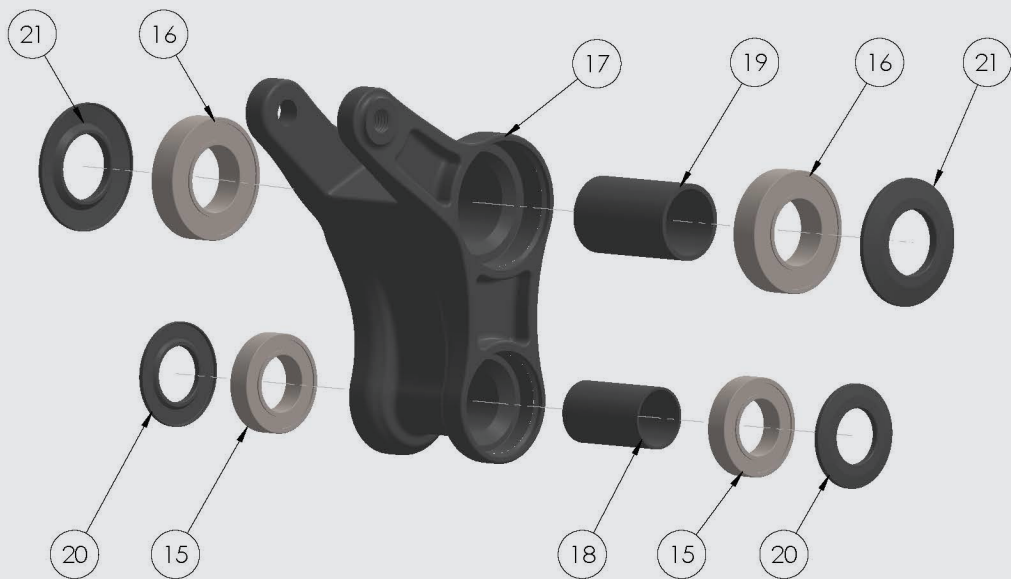


ATTENTION: APPLY LIGHT FILM OF GREASE TO BEARING BORES BEFORE INSTALLATION!

EXPLODED VIEW - V1.0

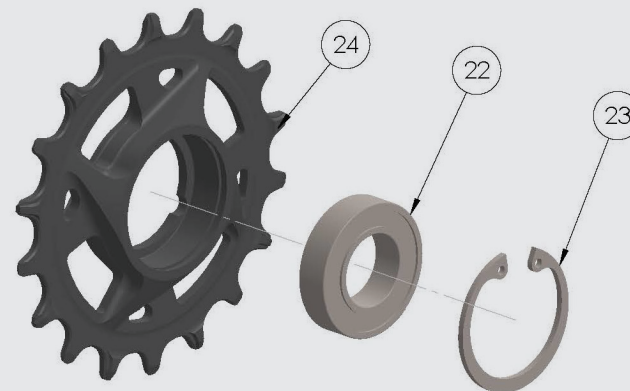


ITEM NO.	DESCRIPTION	QTY
15	ENDURO 6903 LLU MAX	2
16	ENDURO 6904 LLU MAX	2
17	001.001.0010 DREADNOUGHT V2 ROCKER LINK	1
18	002.004.0018 SPACER 17 x 31.5	1
19	002.004.0019 SPACER 20 x 37.5	1
20	002.004.0014 SPACER 17 x 2.25	2
21	002.004.0015 SPACER 20 x 3.25	2

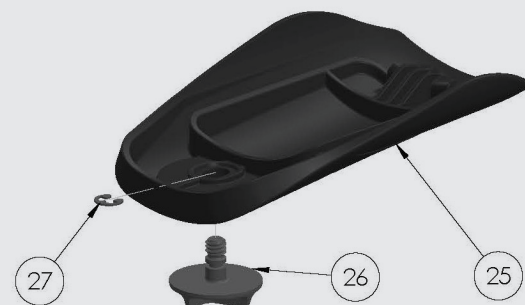


ATTENTION: APPLY LIGHT FILM OF GREASE TO BEARING BORES BEFORE INSTALLATION!

ITEM NO.	DESCRIPTION	QTY
22	ENDURO 6902 LLU MAX BOSL	1
23	23 003.007.0007 RETAINING RING 28mm	1
24	24 003.001.0011 IDLER PULLEY 18T	1



ATTENTION: APPLY LIGHT FILM OF GREASE TO BEARING BORES BEFORE INSTALLATION!

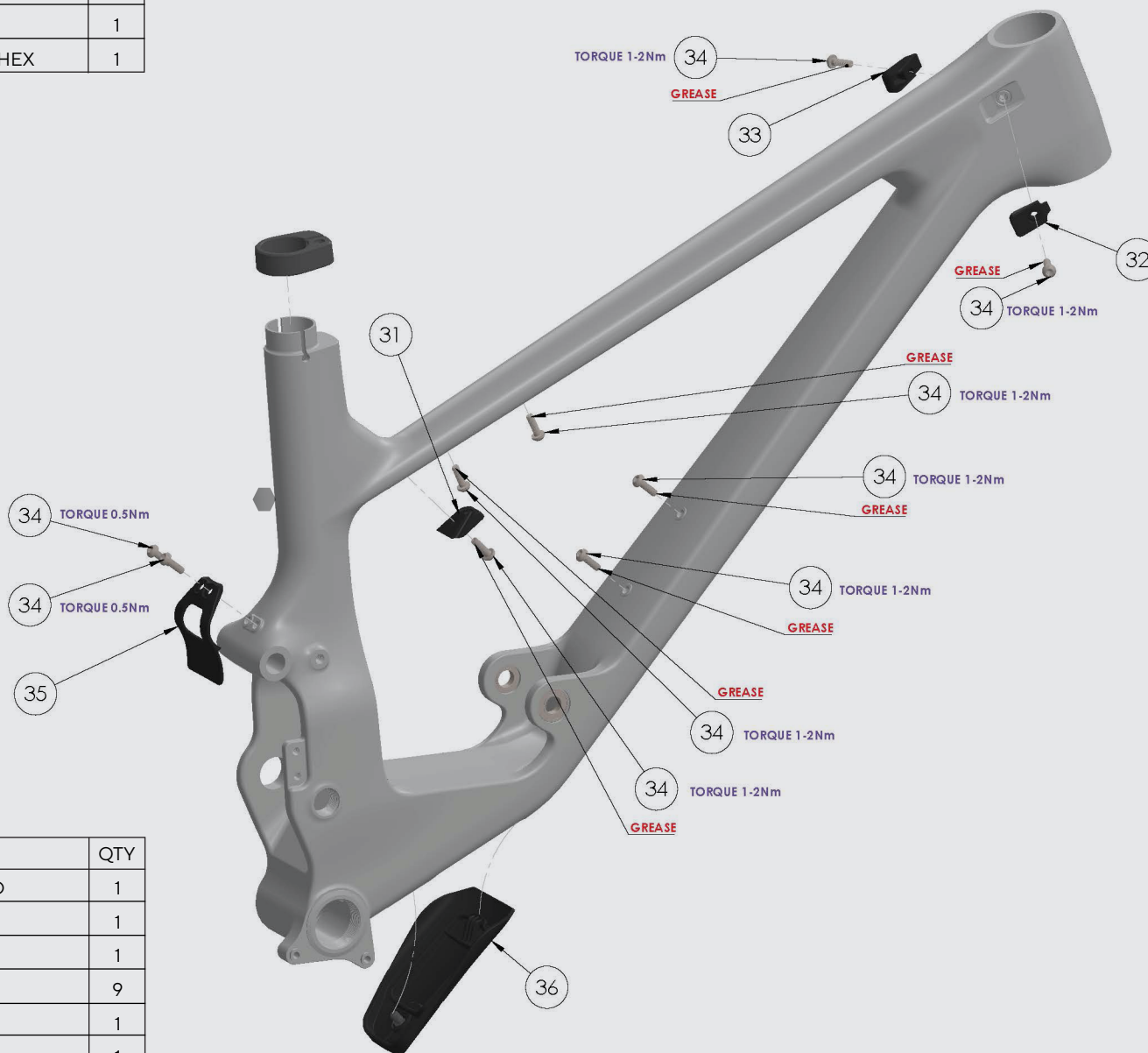
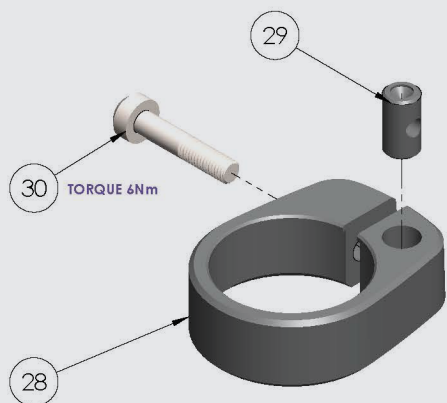


ITEM NO.	DESCRIPTION	QTY
25	004.002.0008 V2 DOWNTUBE COVER	1
26	003.007.0015 DOWNTUBE COVER SCREW	1
27	003.007.0017 M4 E-CLIP	1

EXPLODED VIEW - V1.0



ITEM NO.	DESCRIPTION	QTY
28	003.006.0001 SEAT CLAMP	1
29	003.007.0008 SEAT CLAMP BARREL	1
30	003.007.0005 M5 x 25 SOCKET SCREW 5mm HEX	1

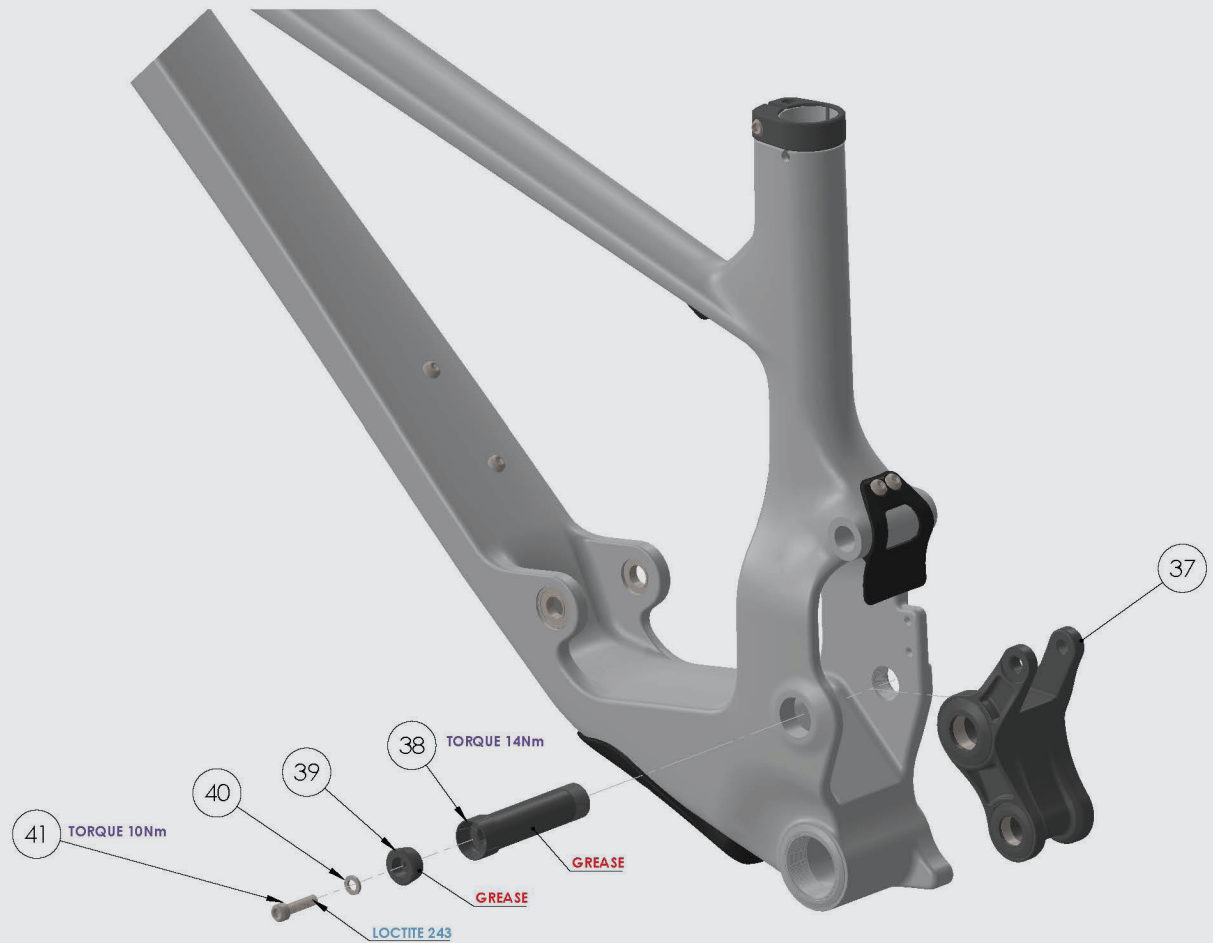


ITEM NO.	DESCRIPTION	QTY
31	004.001.0001 CABLE PORT DOUBLE ANGLED	1
32	004.001.0002 CABLE PORT DOUBLE	1
33	004.001.0003 CABLE PORT SINGLE	1
34	003.007.0002 ACCESSORY SCREW	9
35	004.002.0009 V2 FENDER	1
36	V2 DOWNTUBE COVER ASSEMBLY	1

EXPLODED VIEW - V1.0



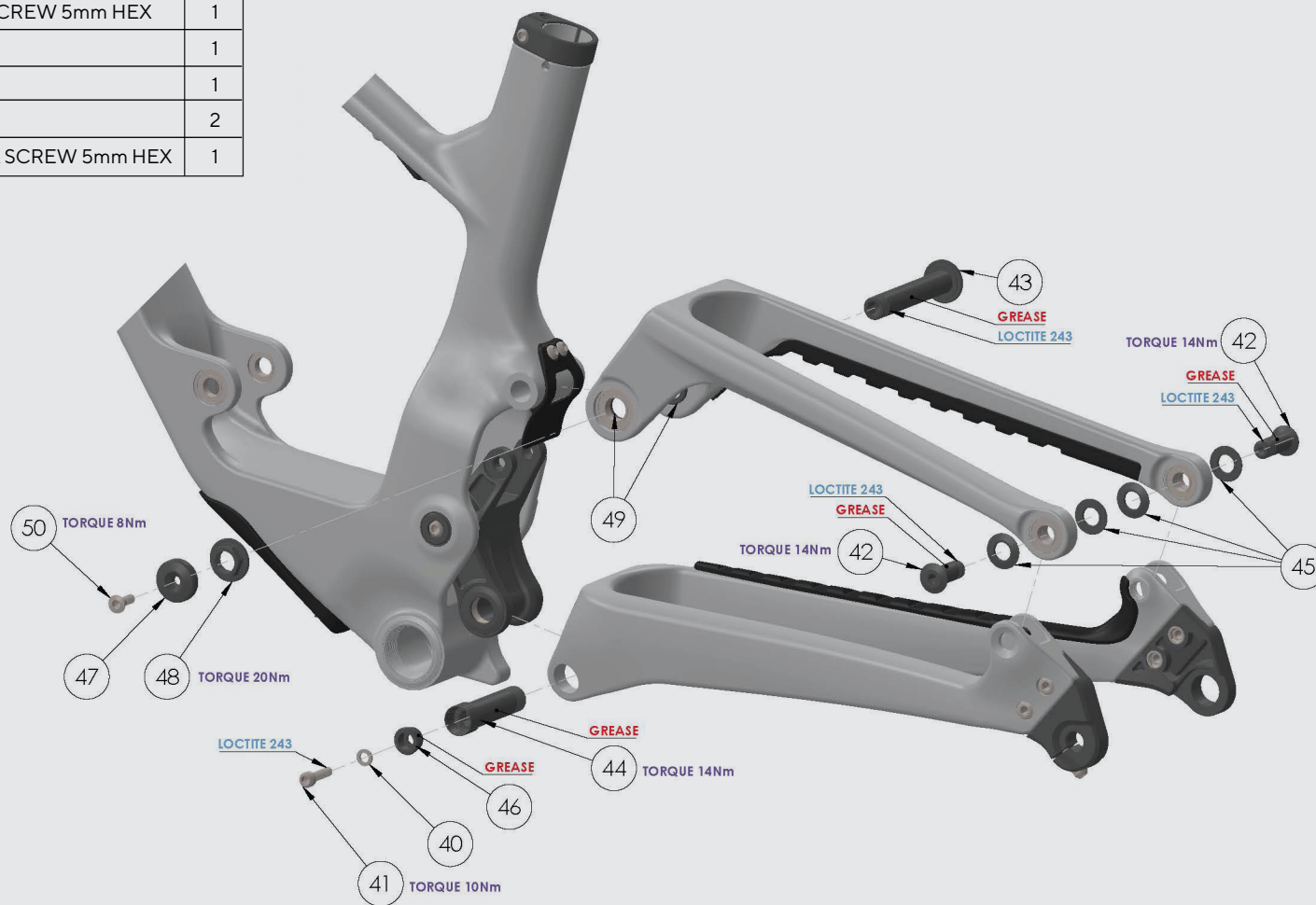
ITEM NO.	DESCRIPTION	QTY
37	DREADNOUGHT V2 ROCKER LINK ASSEMBLY	1
38	002.001.0014 SHAFT 20x60 Ext	1
39	002.005.0002 TAPERED WASHER 20mm	1
40	002.005.0003 M6 x 1.6 WASHER 11mm OD	1
41	003.007.0011 M6 x 25 TAPER SOCKET SCREW 5mm HEX	1



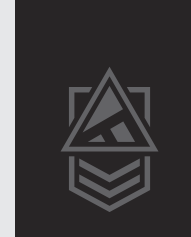
EXPLODED VIEW - V1.0



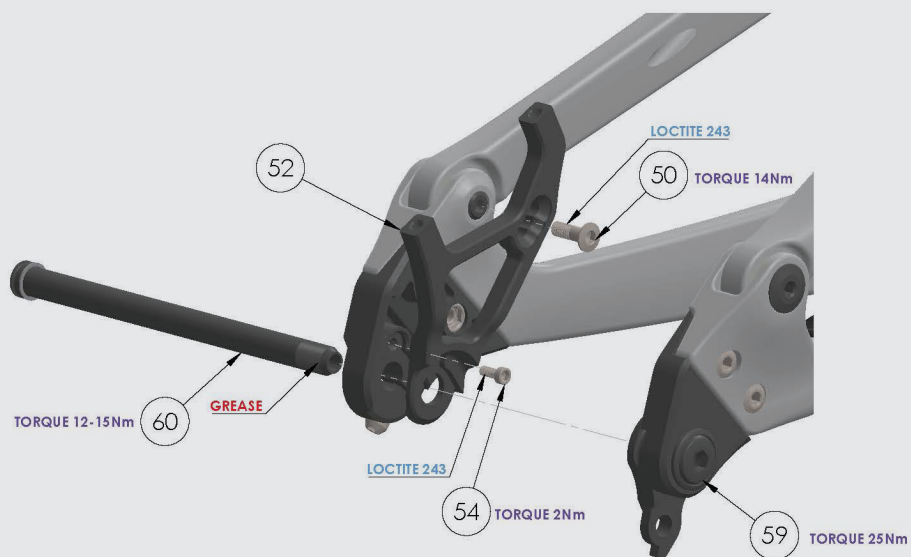
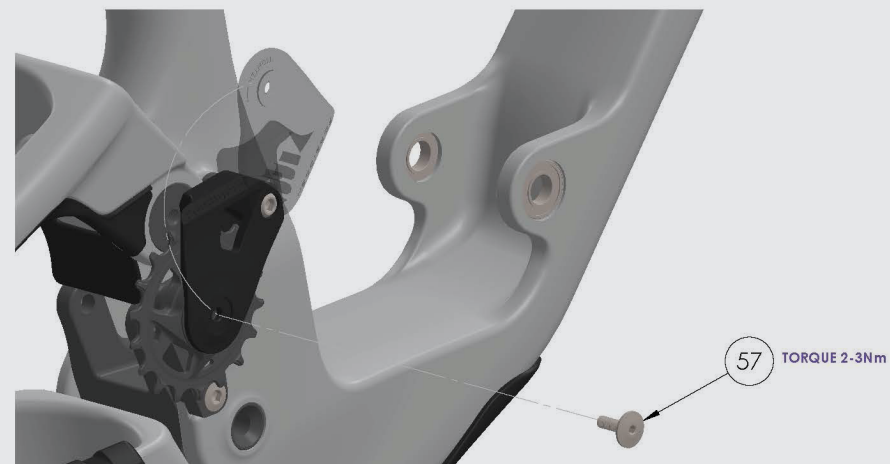
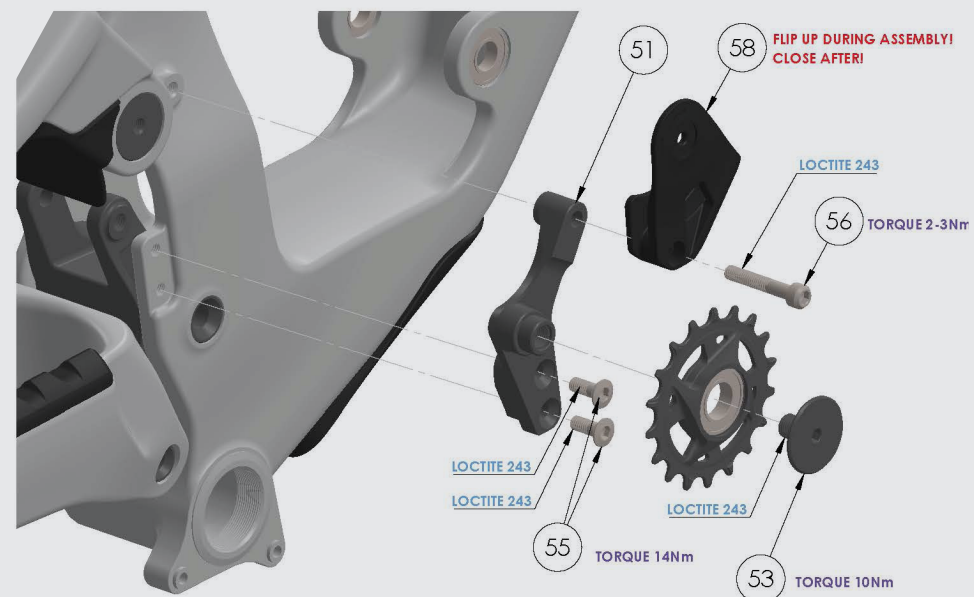
ITEM NO.	DESCRIPTION	QTY
42	002.001.0011 SHAFT 12 x 30	2
43	002.001.0012 SHAFT 15 x 82 EXT	1
44	002.001.0013 SHAFT 17 x 50 EXT	1
45	002.004.0017 SPACER 12 x 2.25	4
46	002.005.0001 TAPERED WASHER 17mm	1
40	002.005.0003 M6 x 1.6 WASHER 11mm OD	1
41	003.007.0011 M6 x 25 TAPER SOCKET SCREW 5mm HEX	1
47	003.004.0003 LOCKING COVER M15	1
48	002.003.0002 NUT 15 x 1 x 8	1
49	002.004.0013 SPACER 15x3 2	2
50	003.007.0006 M6 x 20 COUNTERSUNK SCREW 5mm HEX	1



EXPLODED VIEW - V1.0



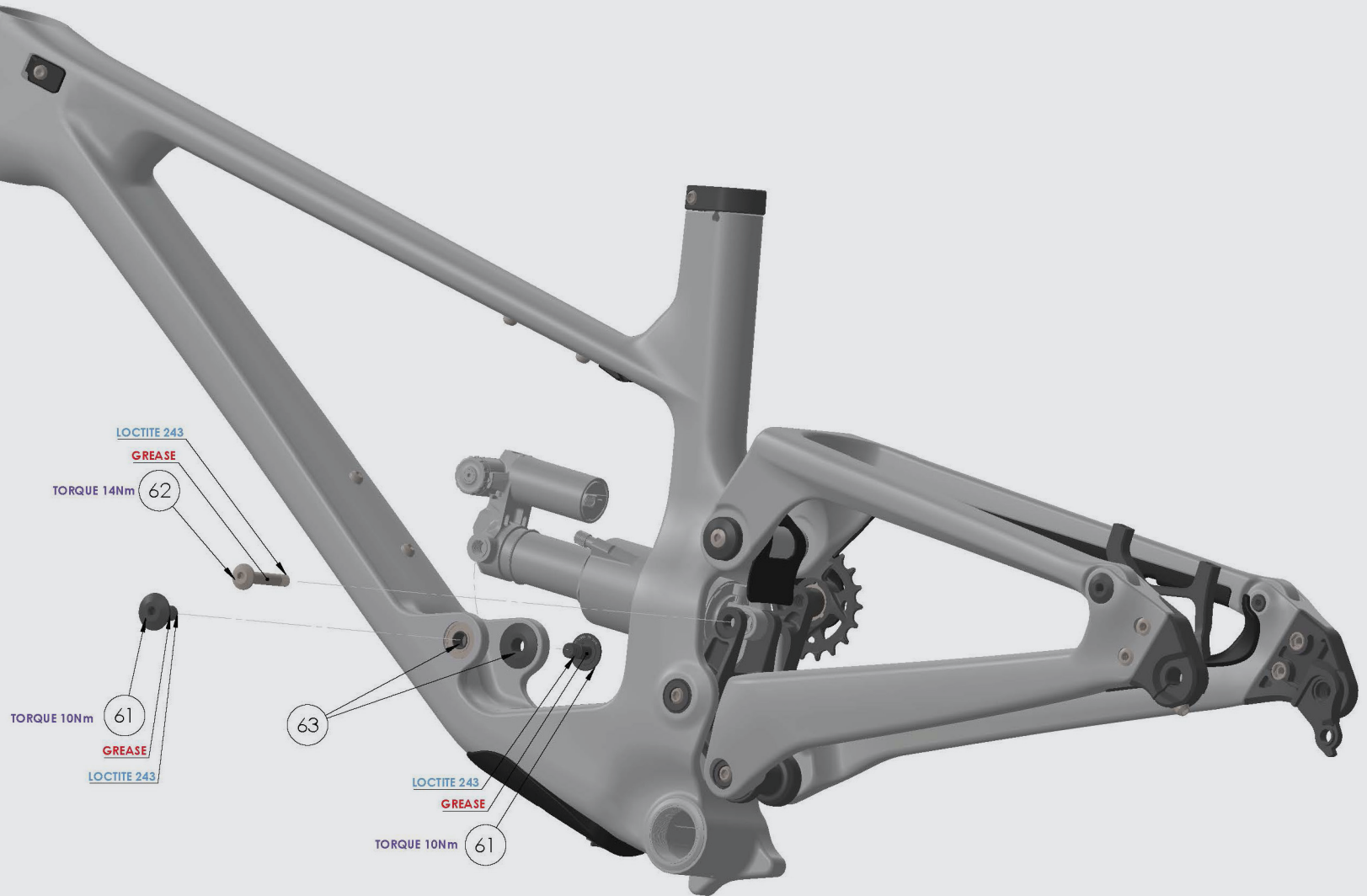
ITEM NO.	DESCRIPTION	QTY
51	003.001.0022 (ALT. 003.001.0013) IP MOUNT ANGLED 55mm CL (ALT. IP MOUNT 52/55mm CL)	1
52	001.005.0004 (ALT. 001.005.0002) BRAKE MOUNT 27.5 [0,+10,-10] 200mm (ALT. BRAKE MOUNT 29 [0,+10] 200mm)	1
53	003.001.0014 IDLER PULLY SCREW 10 x 11	1
54	003.007.0012 M4 x 10 TAPER SOCKET SCREW 4mm HEX	1
55	003.007.0009 M6 x 16 COUNTERSUNK SCREW 5mm HEX	2
56	003.007.0011 M6 x 35 TAPER SOCKET SCREW 5mm HEX	1
57	003.007.0014 M5 x 16 LEFT HAND THREAD 3mm HEX	1
58	004.003.0010 DREADNOUGHT V2 CHAIN GUIDE	1
50	003.007.0006 M6 x 20 COUNTERSUNK SCREW 5mm HEX	1
59	UNIVERSAL DERAILEUR HANGER	1
60	BURGTEC 180 x 1mm AXLE UDH	1



EXPLODED VIEW - V1.0



ITEM NO.	DESCRIPTION	QTY
61	002.002.0006 SCREW 10 x 1 x 18.5 24OD	2
62	003.007.0004 SHOCK SCREW 8 x 1.25 x 48	1
63	002.004.0010 SPACER 10 x 4 FLANGED TOP HAT	2



EXPLODED VIEW - V1.0



ITEM NO.	DESCRIPTION	QTY
64	004.002.0005 DOWNTUBE PROTECTION LOWER	1

