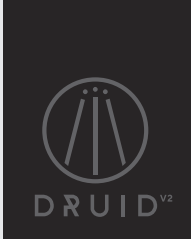


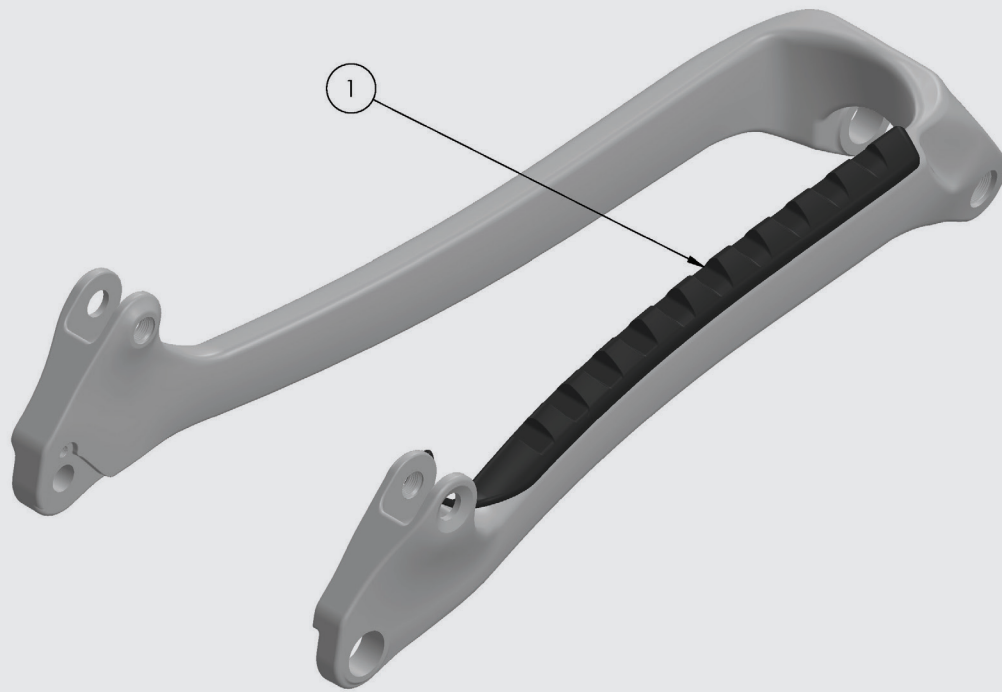


DRUID V2 //
EXPLODED VIEW

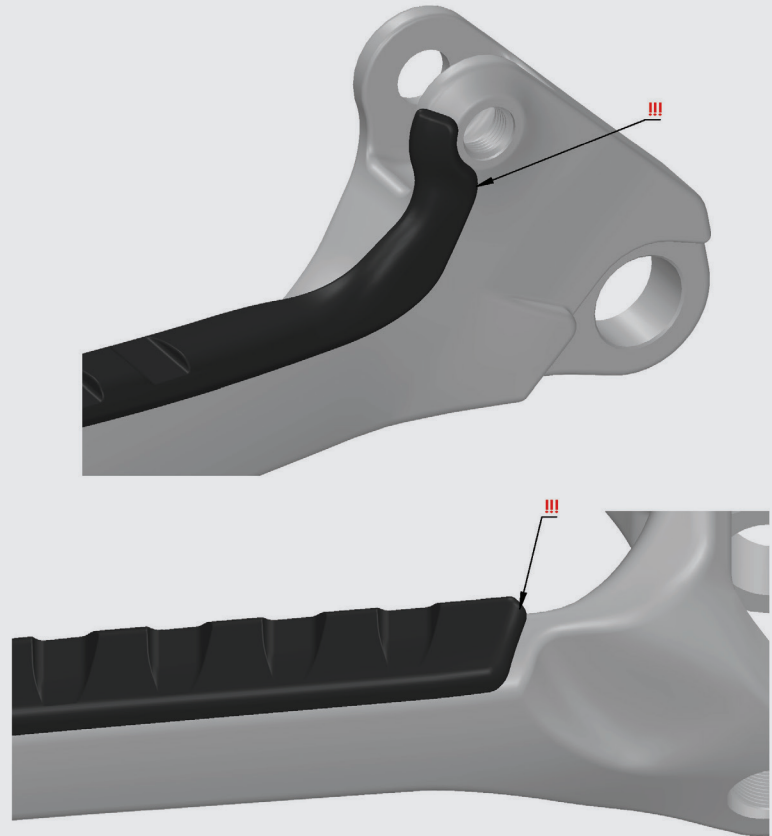
EXPLODED VIEW - V1.0



ITEM NO.	DESCRIPTION	QTY
1	004.002.0010 - CHAINSTAY PROTECTOR	1

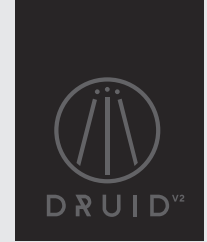


ATTENTION: ENSURE SURFACE IS CLEAN AND FREE FROM GREASE!

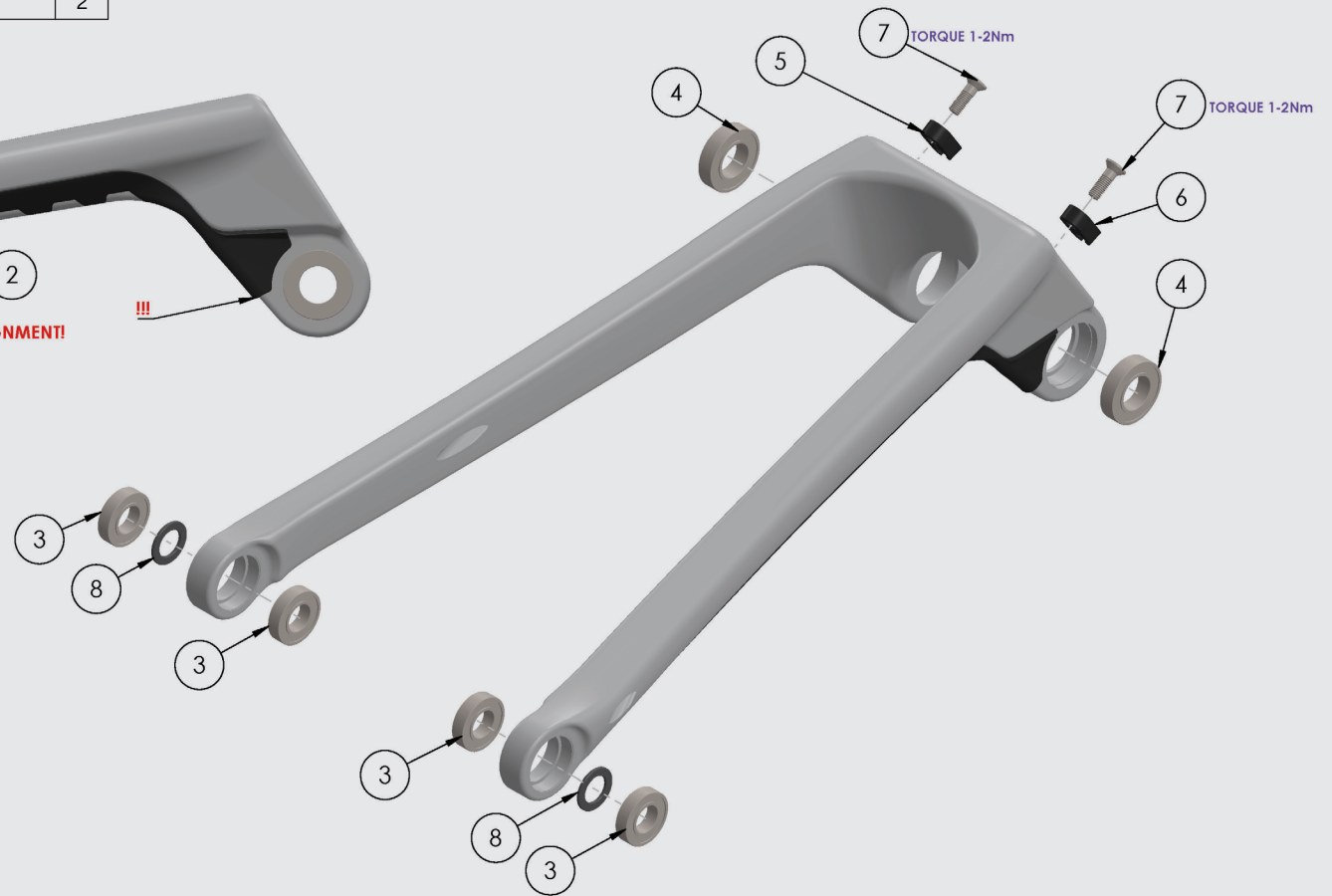
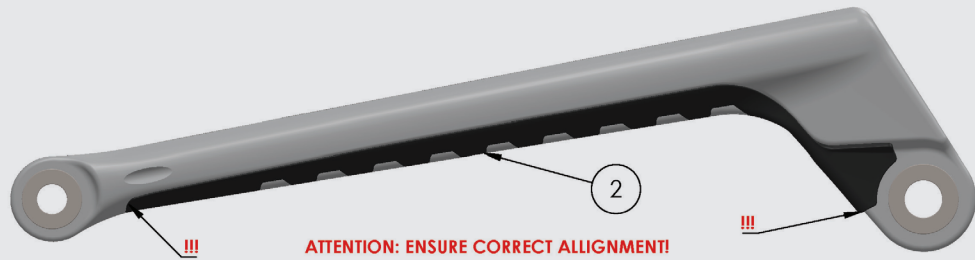


ATTENTION: ENSURE CORRECT ALIGNMENT!

EXPLODED VIEW - V1.0



ITEM NO.	DESCRIPTION	QTY
2	004.002.0011 - SEATSTAY PROTECTOR	1
3	N/A - ENDURO 6901 LLU MAX	4
4	N/A - ENDURO 6902 LLU MAX	2
5	004.001.0004 - REAR TRIANGLE CABLE PORT LH	1
6	004.001.0005 - REAR TRIANGLE CABLE PORT	1
7	003.007.0013 - SEATSTAY CABLE PORT SCREW	2
8	002.004.0016 - SPACER 12 x 1.5	2



ATTENTION: APPLY LIGHT FILM OF GREASE TO BEARING BORES BEFORE INSTALLATION!

EXPLODED VIEW - V1.0



ITEM NO.	DESCRIPTION	QTY
3	ENDURO 6901 LLU MAX	2

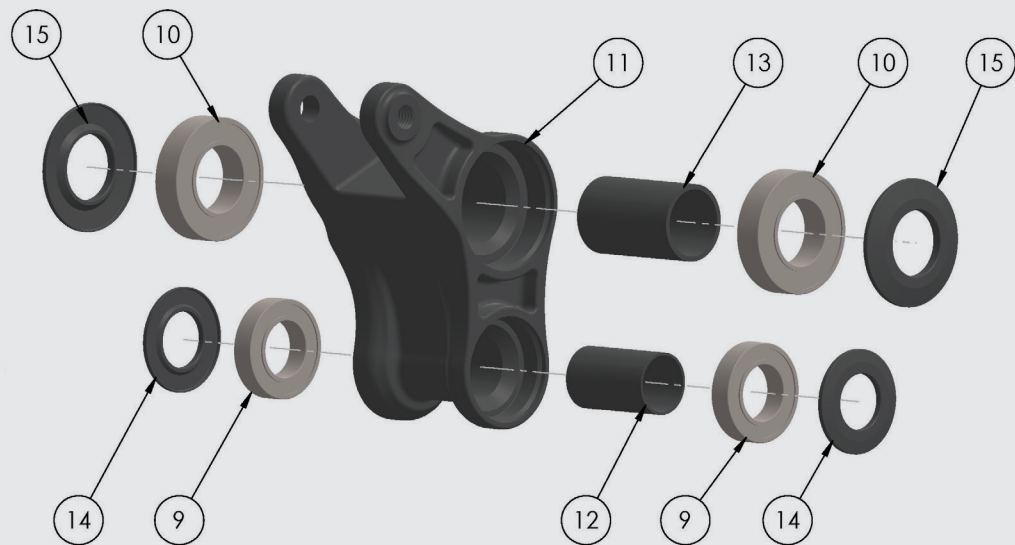


ATTENTION: APPLY LIGHT FILM OF GREASE TO BEARING BORES BEFORE INSTALLATION!

EXPLODED VIEW - V1.0

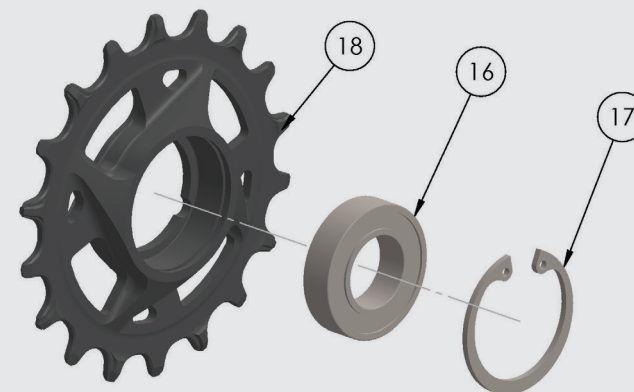


ITEM NO.	DESCRIPTION	QTY
9	N/A - ENDURO 6903 LLU MAX	2
10	N/A - ENDURO 6904 LLU MAX	2
11	001.001.0009 - DRUID V2 ROCKER LINK	1
12	002.004.0018 - SPACER 17 x 31.5	1
13	002.004.0019 - SPACER 20 x 37.5	1
14	002.004.0014 - SPACER 17 x 2.25	2
15	002.004.0015 - SPACER 20 x 3.25	2

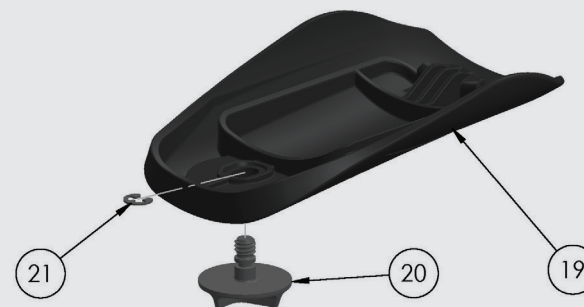


ATTENTION: APPLY LIGHT FILM OF GREASE TO BEARING BORES BEFORE INSTALLATION!

ITEM NO.	DESCRIPTION	QTY
16	003.001.0011 - IDLER PULLEY 18T	1
17	N/A - ENDURO 6902 LLU MAX BOSL	1
18	003.007.0007 - RETAINING RING 28mm	1



ATTENTION: APPLY LIGHT FILM OF GREASE TO BEARING BORES BEFORE INSTALLATION!

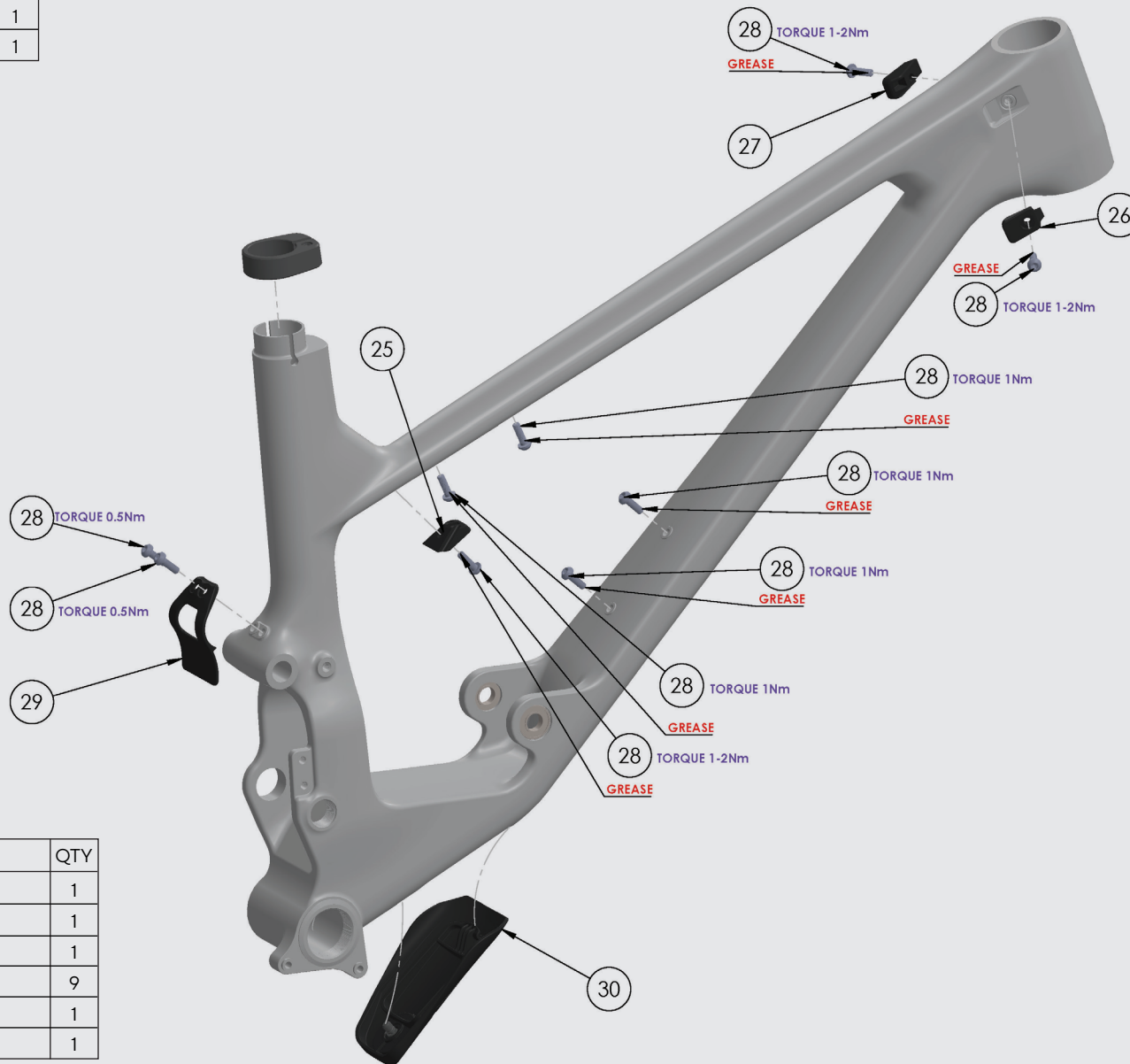
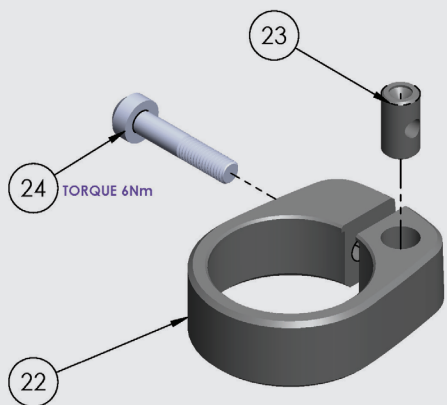


ITEM NO.	DESCRIPTION	QTY
19	004.002.0008 - V2 DOWNTUBE COVER	1
20	003.007.0015 - DOWNTUBE COVER SCREW	1
21	003.007.0017 - M4 E-CLIP	1

EXPLODED VIEW - V1.0



ITEM NO.	DESCRIPTION	QTY
22	003.006.0001 - SEAT CLAMP	1
23	003.007.0008 - SEAT CLAMP BARREL	1
24	003.007.0005 - SEAT CLAMP SCREW	1

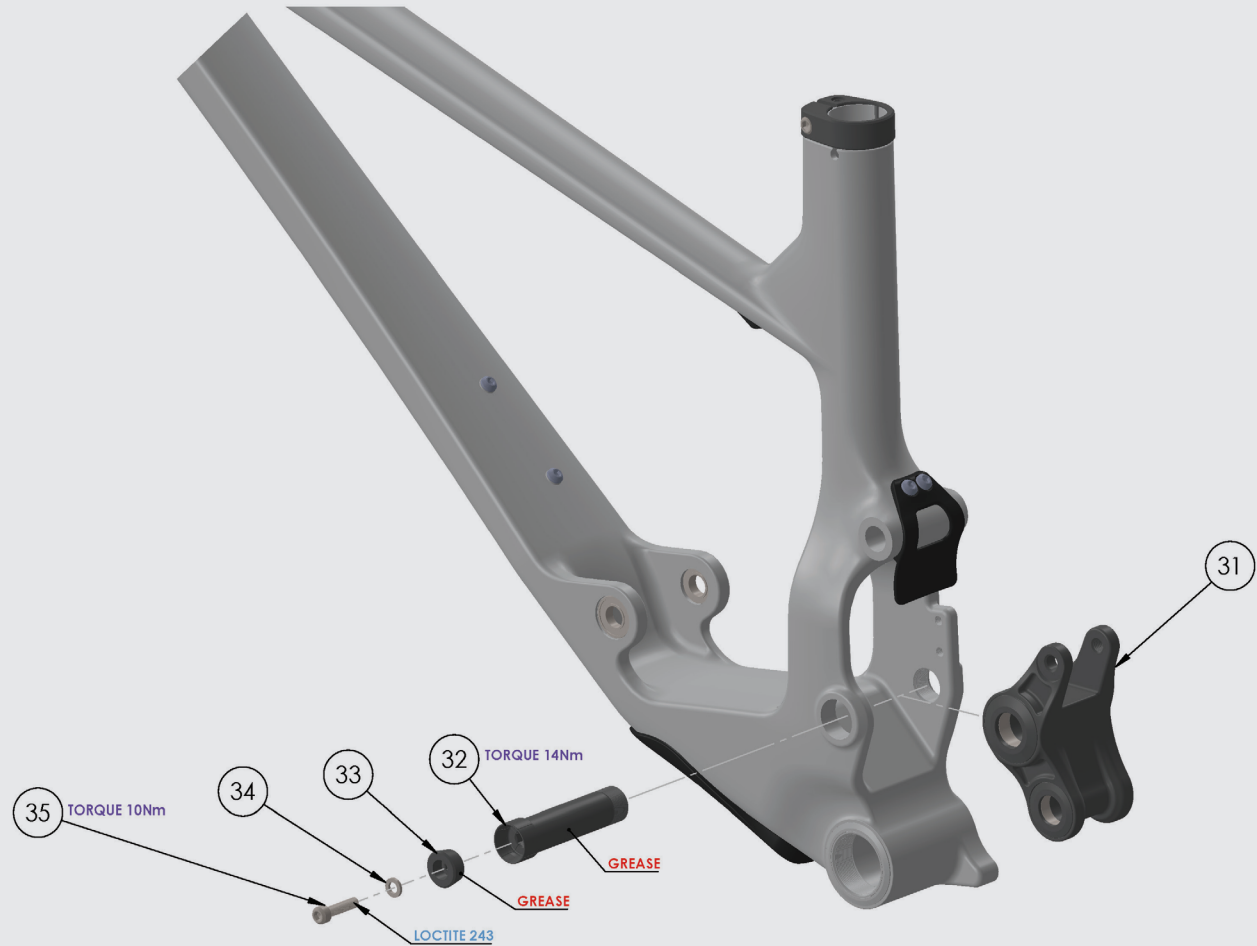


ITEM NO.	DESCRIPTION	QTY
25	004.001.0001 - CABLE PORT DOUBLE	1
26	004.001.0002 - CABLE PORT DOUBLE	1
27	004.001.0003 - CABLE PORT SINGLE	1
28	003.007.0002 - ACCESSORY SCREW	9
29	004.002.0009 - V2 FENDER	1
30	N/A - V2 DOWNTUBE COVER ASSEMBLY	1

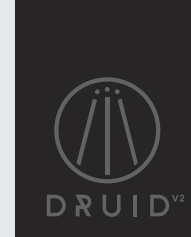
EXPLODED VIEW - V1.0



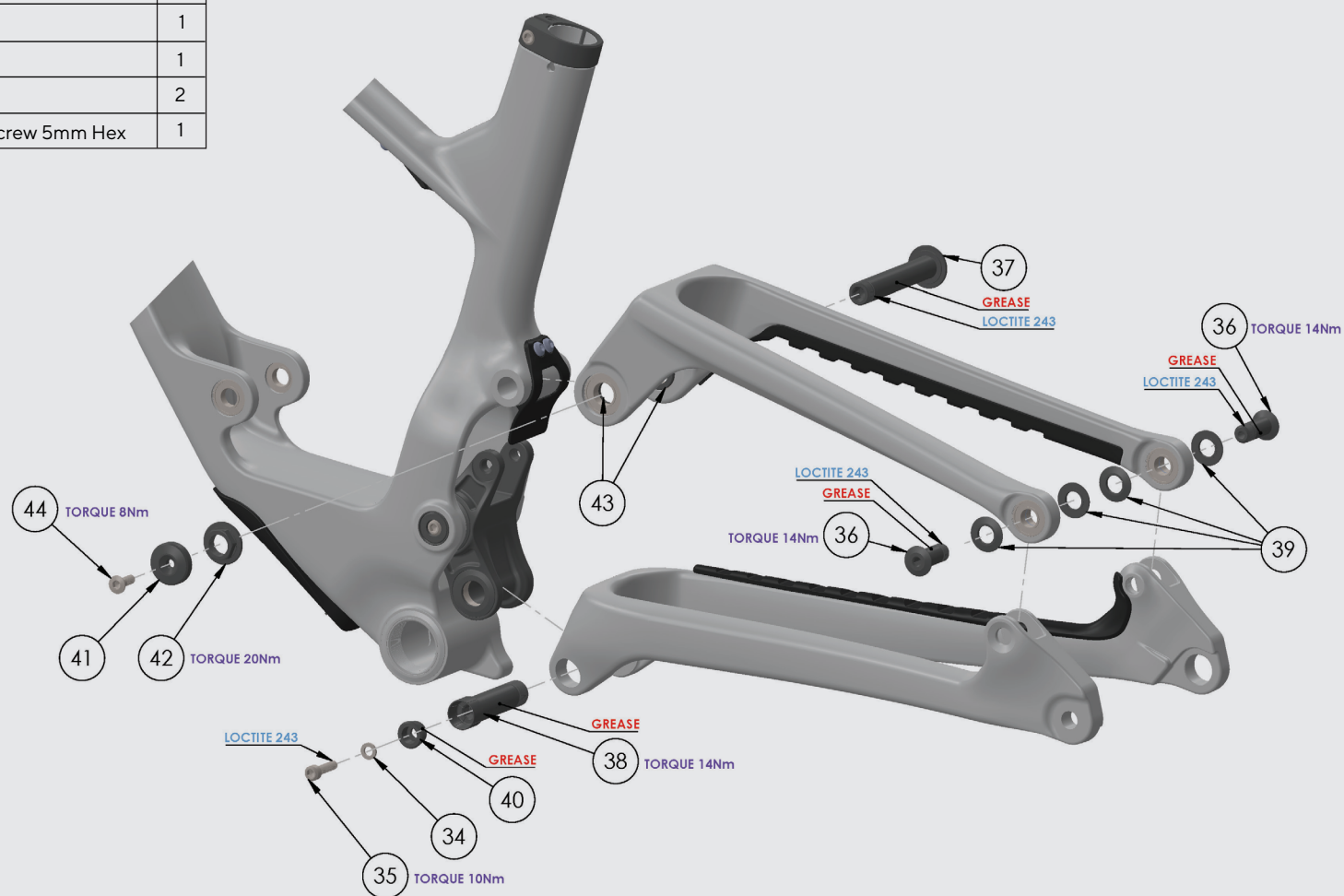
ITEM NO.	DESCRIPTION	QTY
31	N/A - DRUID V2 ROCKER LINK ASSEMBLY	1
32	002.001.0014 - SHAFT 20x60 Ext	1
33	002.005.0002 - TAPERED WASHER 20mm	1
34	002.005.0003 - M6 x 1.6 WASHER 11mm OD	1
35	003.007.0011 - M6 x 25 TAPER SOCKET SCREW 5mm HEX	1



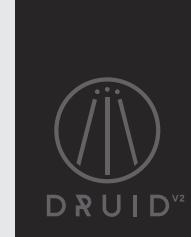
EXPLODED VIEW - V1.0



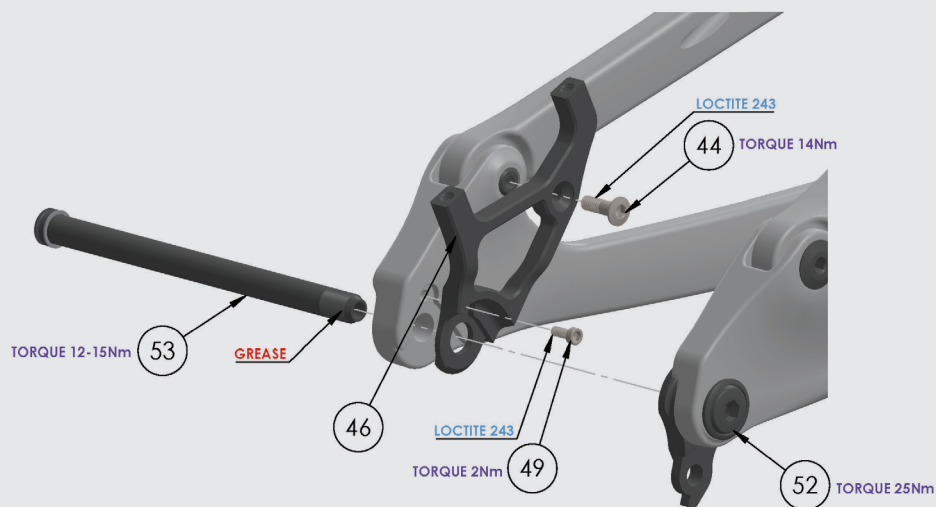
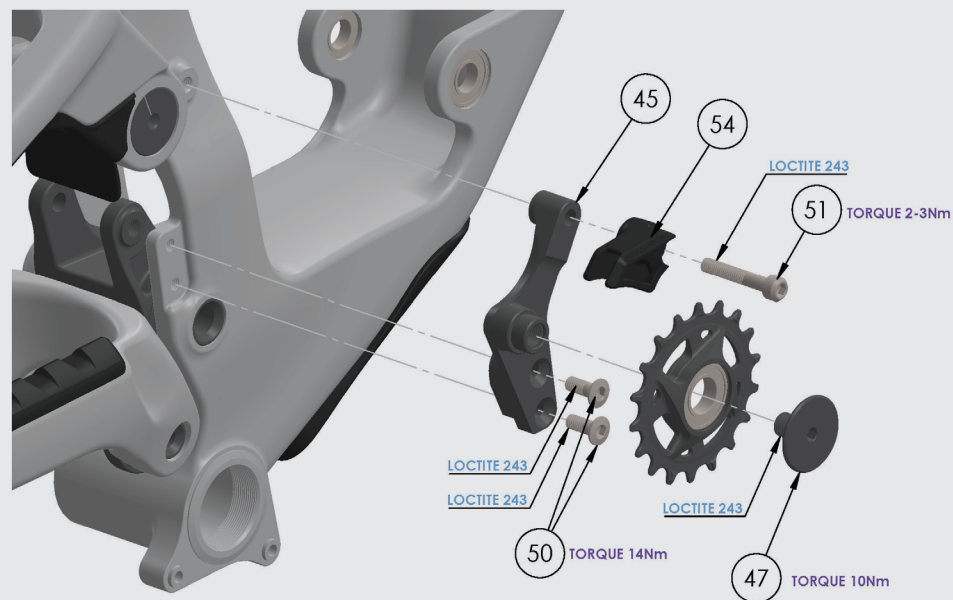
ITEM NO.	DESCRIPTION	QTY
36	002.001.0011 - SHAFT 12 x 30	2
37	002.001.0012 - SHAFT 15 x 82 EXT	1
38	002.001.0013 - SHAFT 17 x 50 EXT	1
39	002.004.0017 - SPACER 12 x 2.25	4
40	002.005.0001 - TAPERED WASHER 17mm	1
35	003.007.0011 - M6 x 25 TAPER SOCKET SCREW 5mm Hex	1
34	002.005.0003 - M6 x 1.6 WASHER 11mm OD	1
41	003.004.0003 - LOCKING COVER M15	1
42	002.003.0002 - NUT 15 x 1 x 8	1
43	002.004.0013 - SPACER 15 x 3	2
44	003.007.0006 - M6 x 20 Countersunk Screw 5mm Hex	1



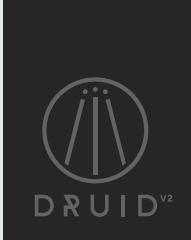
EXPLODED VIEW - V1.0



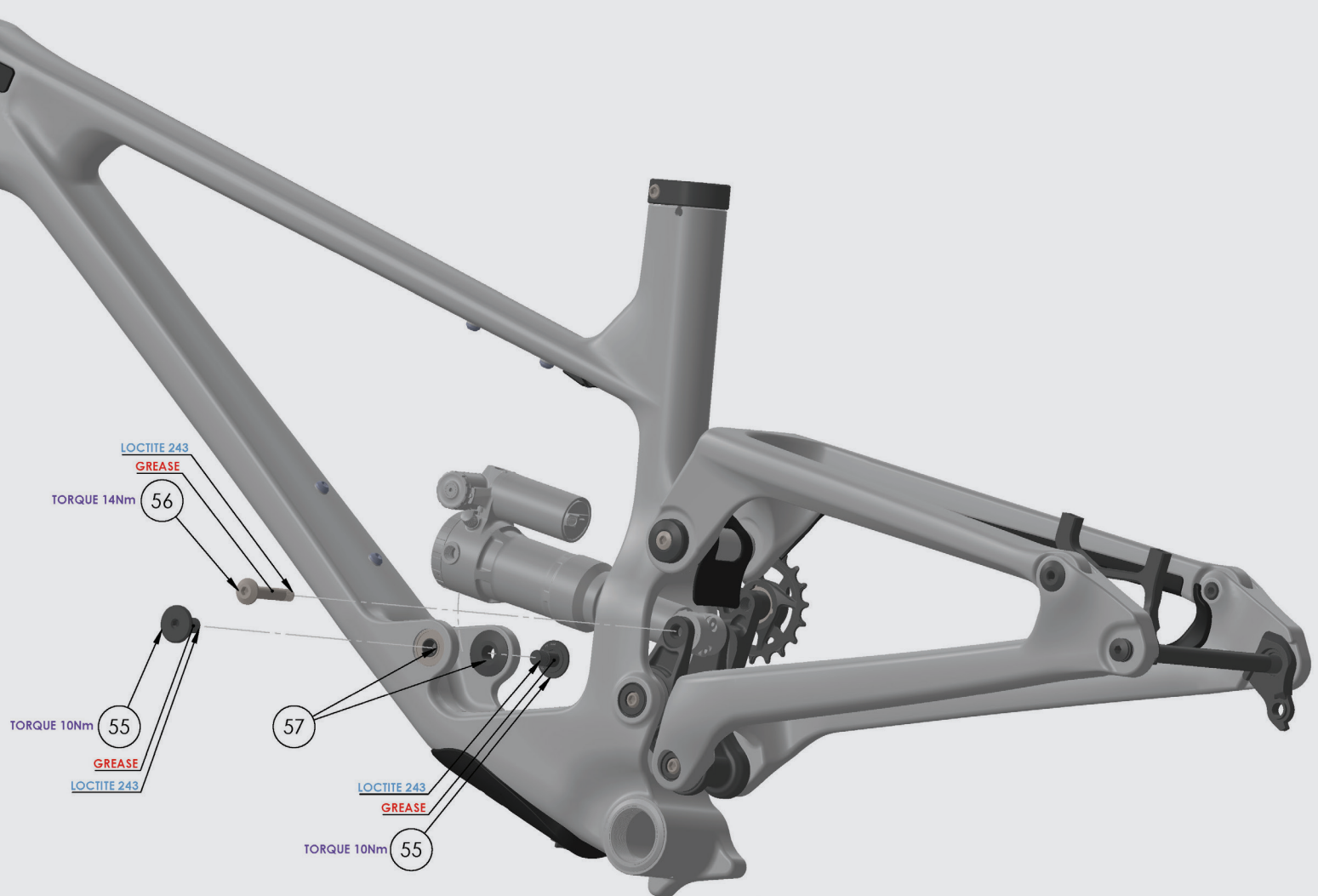
ITEM NO.	DESCRIPTION	QTY
45	003.001.0015 (Alt.003.001.0013) IP MOUNT ANGLED 55mm CL (Alt. IPMOUNT 52/55mm CL)	1
46	001.005.0001 - BRAKE MOUNT 29 (0) 180mm	1
47	003.001.0014 - IDLER PULLEY SCREW 10x1	1
49	003.007.0012 - M4 x 10 TAPER SOCKET SCREW 4mm HEX	1
50	003.007.0009 - M6 x 16 COUNTERSUNK SCREW 5mm HEX	2
51	003.007.0010 - M6 x 35 TAPER SOCKET SCREW 5mm HEX	1
44	003.007.0006 - M6 x 20 COUNTERSUNK SCREW 5mm HEX	1
52	N/A - UNIVERSAL DERAILEUR HANGER	1
53	N/A - BURGTEC 180 x 1mm AXLE UDH	1
54	004.003.0008 - DRUID V2 CHAIN GUIDE	1



EXPLODED VIEW - V1.0



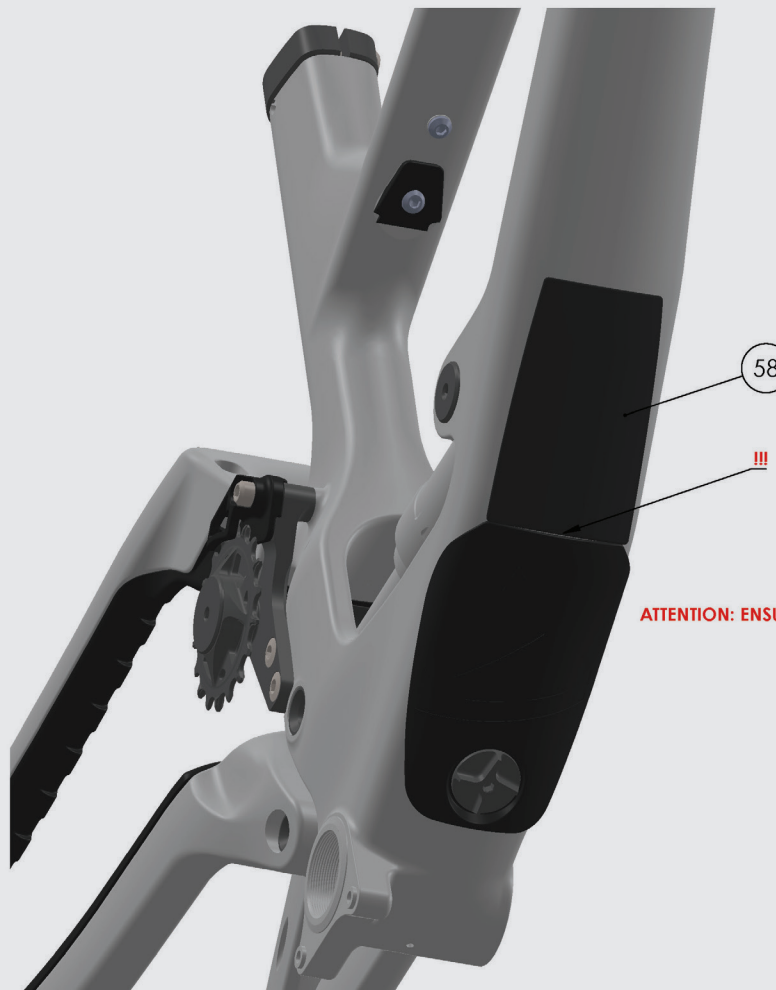
ITEM NO.	DESCRIPTION	QTY
55	002.002.0006 - SCREW 10 x 1x 18.5 24OD	2
56	003.007.0004 - SHOCK SCREW 8 x 1.25 x 48	1
57	002.004.0010 - SPACER 10x4 FLANGED TOP HAT	2



EXPLODED VIEW - V1.0



ITEM NO.	DESCRIPTION	QTY
58	004.002.0005 - DOWNTUBE PROTECTION LOWER	1



ATTENTION: ENSURE CORRECT ALIGNMENT!

ATTENTION: ENSURE SURFACE IS CLEAN AND FREE FROM GREASE!